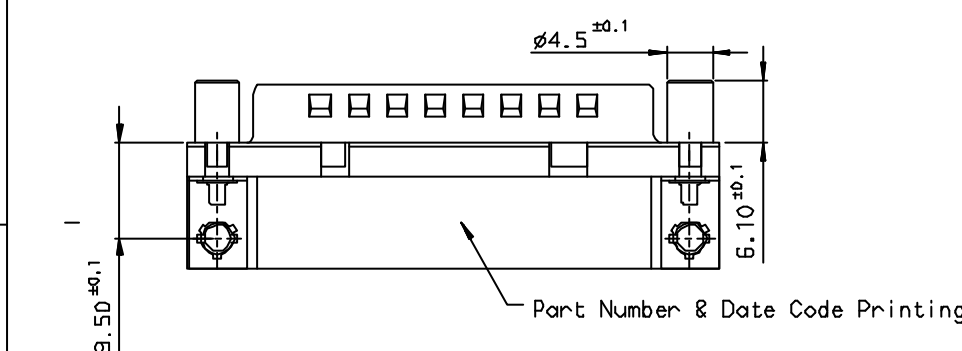
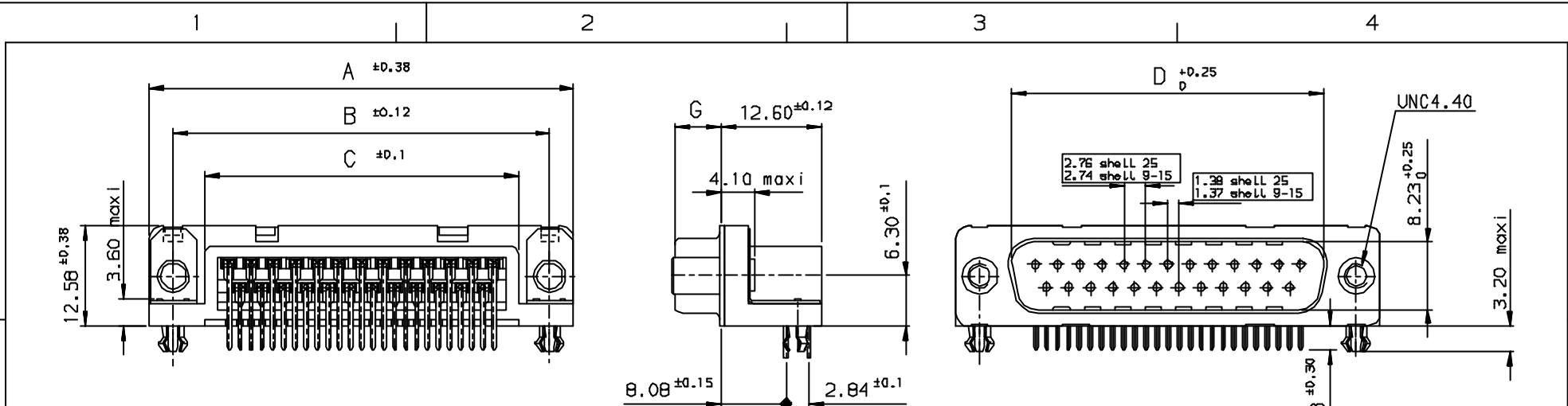


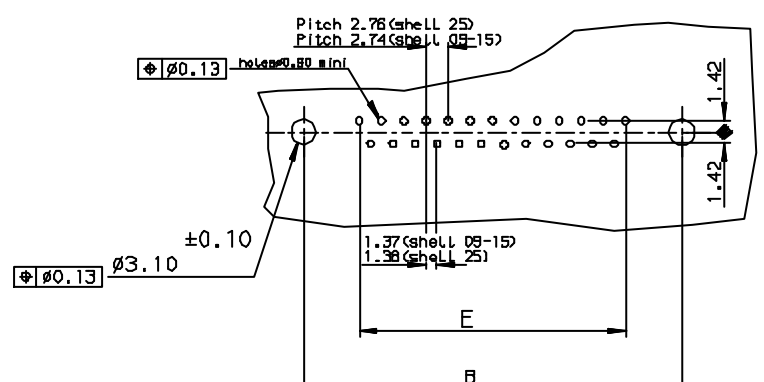
Tous droits strictement réservés. Reproduction ou communication à des tiers interdites sans autorisation écrite de la Direction des Conception et de la Production.  
 Property of FCI. Droits de reproduction réservés.

**FCI**

All rights strictly reserved. Reproduction or communication to third parties in any form without the written authorization of the Direction des Conception et de la Production.  
 Property of FCI. Copyright FCI.



PC card drilling dimensions (after plating)  
 (thickness 1.60±0.20mm)



PuLL Parts							
SHELL	A±0.38	B±0.12	C±0.10	D±0.25	E±0.07	G±0.25	PART NUMBER
09	30.81	24.99	16.96	16.79	10.96	5.90	D09P33E4GV00**
15	39.14	33.32	25.18	25.12	19.18	5.90	D15P33E4GV00**
25	53.03	47.04	39.12	38.84	33.12	5.70	D25P33E4GV00**

GENERAL CHARACTERISTICS - SEE DRAWING C01-8545-0000

LF FOR LEAD FREE

d	DATE	REVISION DESCRIPTION
1	27/7/05	LEAD FREE DETAILS ADDED

Utr	Eon no	Dr	date
d	105-0124	J5	27/7/05

Dr JOHN SLEEBA 7/4/03		Product Family	II-SUB	Tolerance LINEAR ±0.1 ANGULAR ±1°	Projection	MM
Eng GEORGE VJ 7/4/03		Spec ref			Size A3	Scale
Chr GEORGE VJ 27/7/05		Material			ECN	
Appr K Somasundaram 27/7/05						
<b>FCI</b>		Title MALE CONNECT. DELTA D right angle screwlock, harpoon & metal plate	Dwg no C01-8545-0151	Rev. d		
Catalog no		DELTA-D	CUSTOMER COPY	Sheet 1 of 1		

[G17S1500110EU](#)  
[L717SDB25P](#)  
[LD09P33E4GV00LF](#)  
[G17S0900110EU](#)  
[L717SDE09P](#)  
[G17S1510110EU](#)  
[MDBE09PE860](#)  
[L77DE09S](#)  
[D09P33E4GV00LF](#)  
[DAP15P065TXLF](#)  
[17EBH-015-S-AM-0-10](#)  
[17EHD-044-P-AA-0-00](#)  
[17EHD-026-P-AA-0-00](#)  
[D25S24A4GV00LF](#)  
[D09S24A4GV00LF](#)  
[D09P24A4GV00LF](#)  
[D15S24A4GV00LF](#)  
[D09P33E4GV00LF](#)  
[10090929-S154VLF](#)  
[ICD15S13E6GV00LF](#)  
[17EHD-015-P-AA-0-00](#)  
[DA15P064TXLF](#)  
[DE09P064TXLF](#)  
[DE09S064TLF](#)  
[L77SDE09S](#)  
[10090769-P154ALF](#)